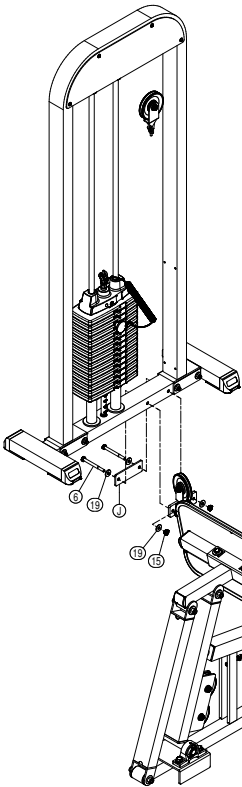


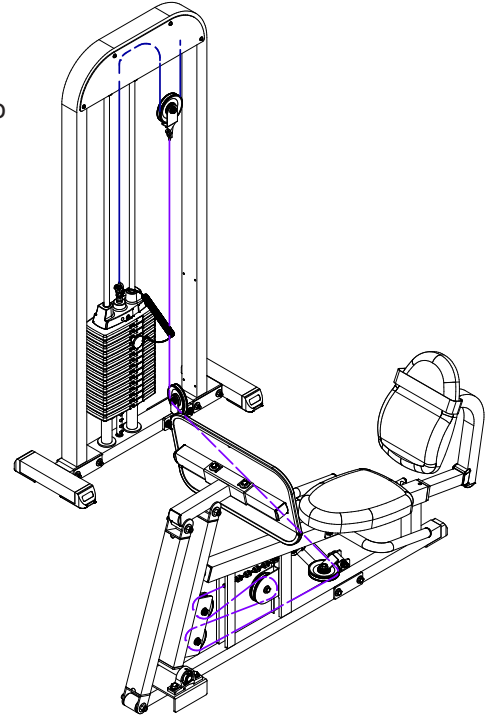
GSTCK

Quick Installation Guide

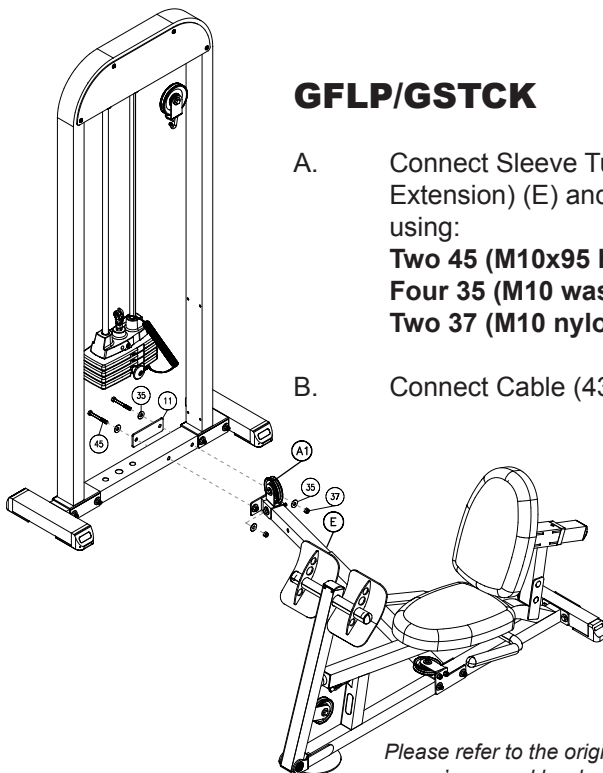


GLP/GSTCK

- A. Connect Linkage Frame (A) and Flat Plate (J) to the GSTCK using:
Two 6 (M10x110 hex head bolt)
Four 19 (M10 washer)
Two 15 (M10 nylon lock nut)
- B. Connect Cable (37) to the GSTACK as shown.

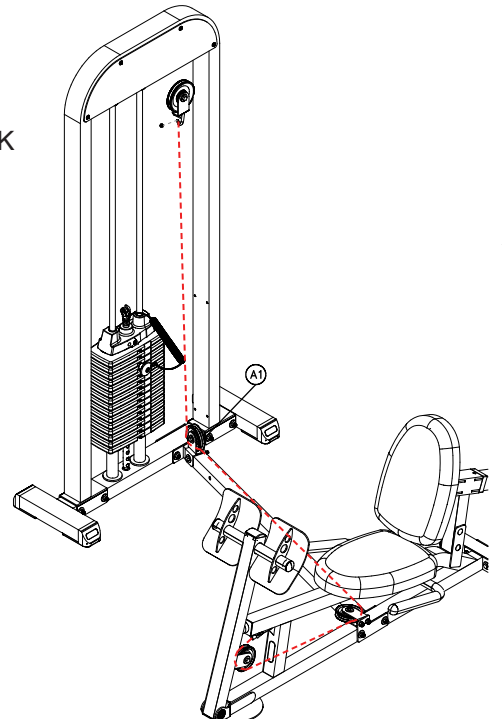


Please refer to the original owner's manual hardware.



GFLP/GSTCK

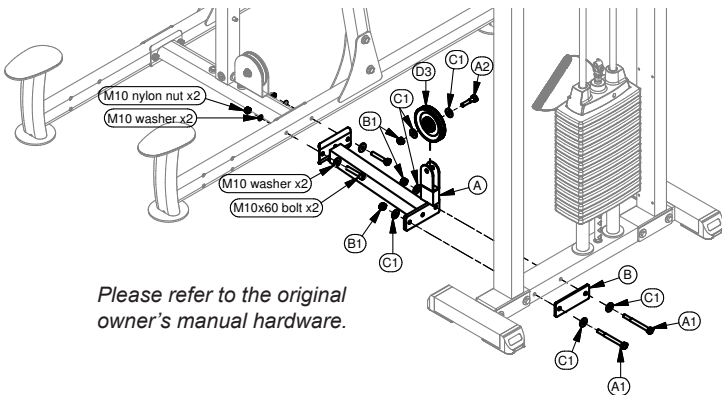
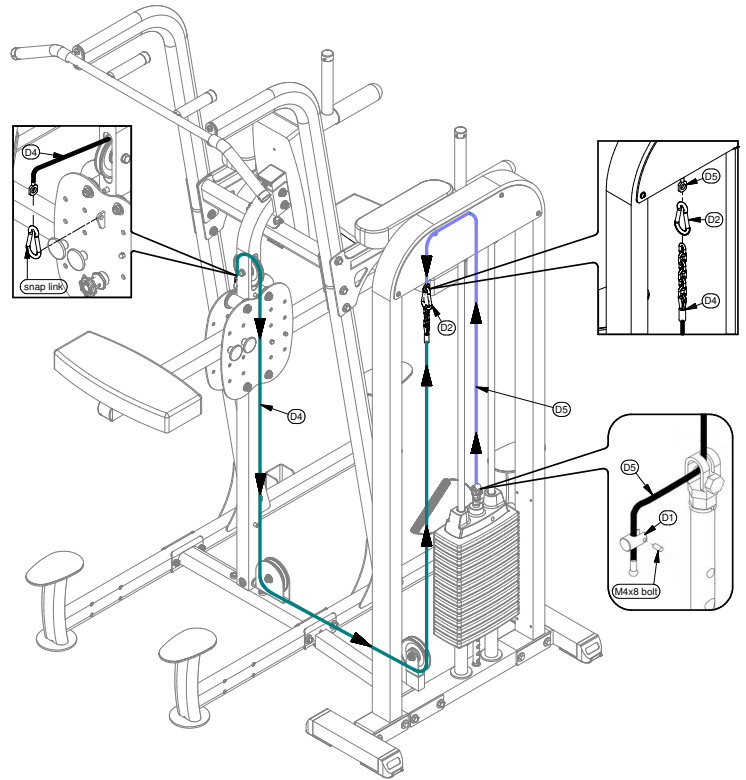
- A. Connect Sleeve Tube Assembly (Telescopic Extension) (E) and Flat Plate (11) to the GSTCK using:
Two 45 (M10x95 hex head bolt)
Four 35 (M10 washer)
Two 37 (M10 nylon lock nut)
- B. Connect Cable (43) to the GSTACK as shown.



Please refer to the original owner's manual hardware.

FCDWA/GSTCK

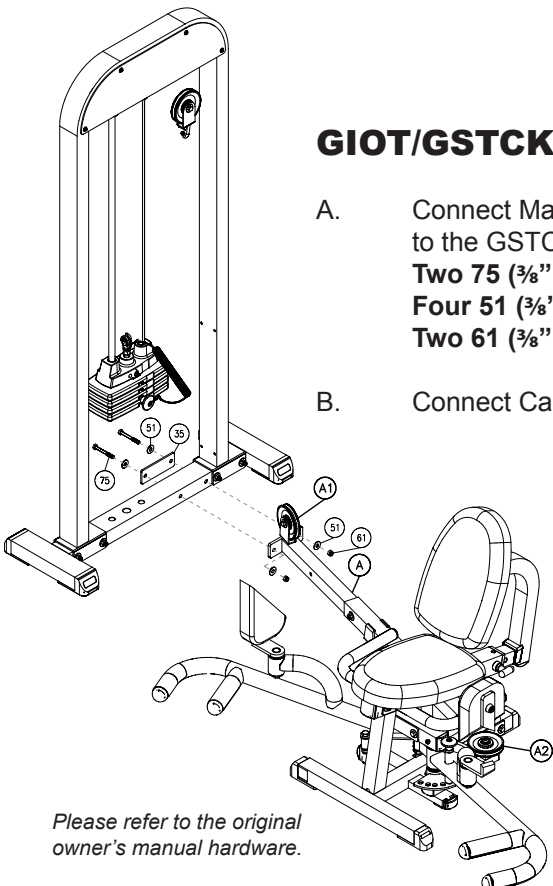
- A. Connect FCDBRKT (A) and Flat Plate (B) to the GSTCK using:
Two A1 (M10x105 hex head bolt)
Four C1 (M10 washer)
Two B1 (M10 nylon lock nut)
- B. Connect FCDBRKT (A) to the FCDWA using:
Two (M10x60 hex head bolt)
Four (M10 washer)
Two (M10 nylon lock nut)
- C. Connect Cable (D4) to the GSTACK as shown.



Please refer to the original owner's manual hardware.

GIOT/GSTCK

- A. Connect Main Base Frame (A) and Flat Plate (35) to the GSTCK using:
Two 75 (3/8" x 4 1/4" hex head bolt)
Four 51 (3/8" washer)
Two 61 (3/8" nylon lock nut)
- B. Connect Cable (15) to the GSTACK as shown.



Please refer to the original owner's manual hardware.

